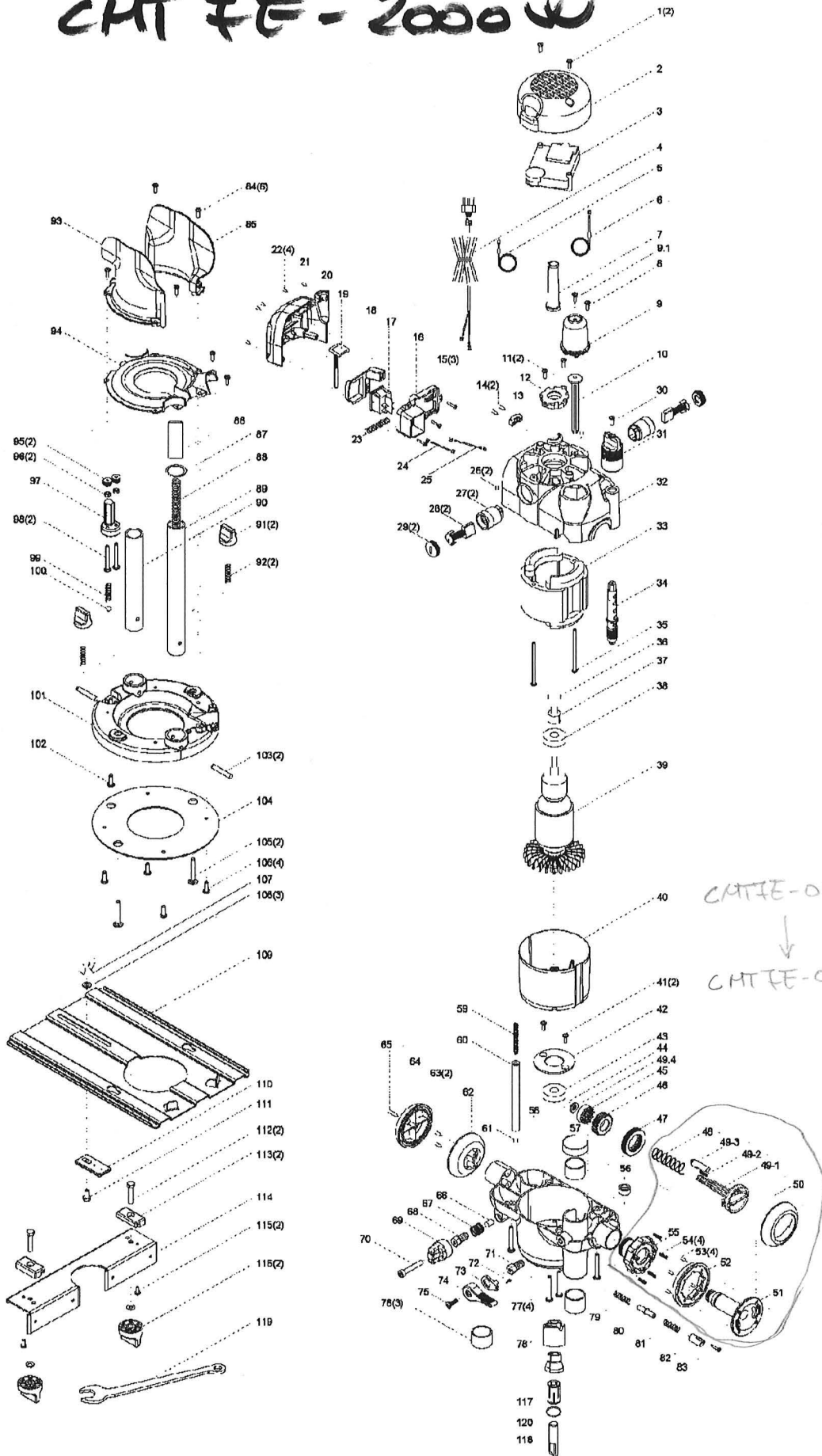


# triton 1/2" Precision Router SPARE PARTS LISTING

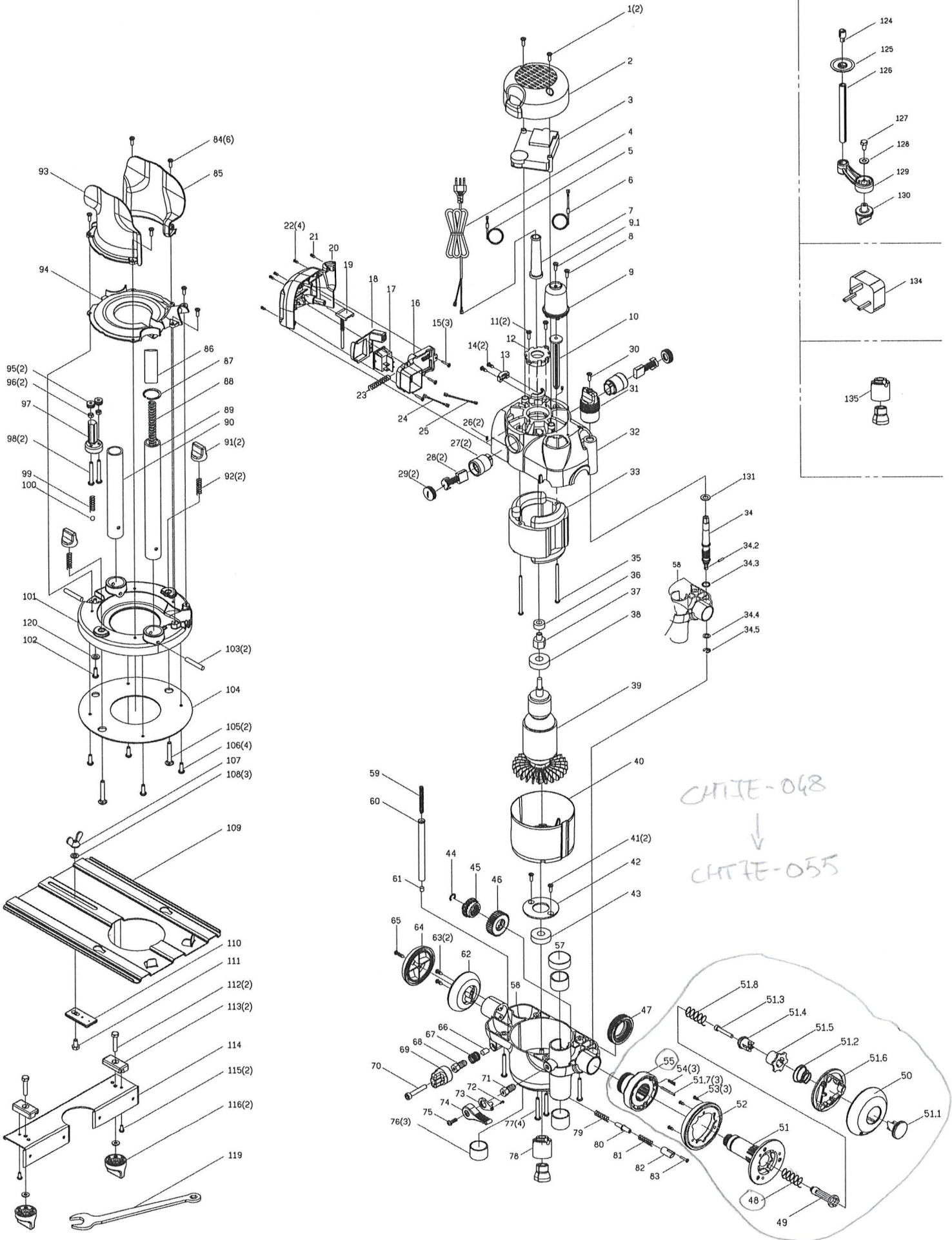
## CMT FE-2000 W



Item No.	Part No.	Description	Item No.	Part No.	Description
1	TRA067	Screw, motor top cover	57, 58, 76	TRA052	Lower motor body & bush assembly ✓
2	TRA007	Motor top cover ✓	59	TRA092	Spring, depth stop
3	TRA027	Speed controller ✓	60	TRA033	Depth stop tube
4	TRC057	Plug and cord	61	TRA058	Plug, depth stop tube
5	TRA068	Brush connection B ✓	62	TRA046	Fixed handle inner ✓
6	TRA069	Brush connection A	63	TRA093	Screw, fixed handle inner
7	TRA018	Cord relief	64	TRA045	Fixed handle outer ✓
8, 9 & 10	TRA136	Rack post guide assembly ✓	65	TRA094	Screw, fixed handle outer
11	TRA071	Screw, upper armature bearing plate	66	TRA032	Depth stop brass plug ✓
12	TRA016	Upper armature bearing plate ✓	67	TRA133	Depth stop knob spring ✓
13	TRA017	Cord restraint	68,69&70	TRA134	Depth knob assembly ✓
14	TRA072	Screw, cord restraint	71	TRA049	Bolt, plunge lock
15,16,17,18,20,23	TRA135	Switch Assembly ✓	72	TRA098	Screw, plunge lock lever plate ✓
19	TRA034	Guide, depth stop spring	73	TRA050	Plate, plunge lock lever
21	TRA074	Screw, switch cover, short	74	TRA048	Plunge lock lever ✓
22	TRA075	Screw, switch cover, long	75	TRA099	Screw, plunge lock lever ✓
24	TRA077	Connecting wire, brown	77	TRA101	Screw, motor body
25	TRA078	Connecting wire, blue	78	TRA013	Chuck Assembly ✓
26	TRA079	Screw, brush holder	79	TRA104	Spring, shaft lock (inner)
27	TRA056	Brush holder ✓	80	TRA026	Pin, shaft lock
28	TRA055	Brush ✓	81	TRA105	Spring, shaft lock (outer)
29	TRA080	Cap, brush holder	82	TRA025	Button, shaft lock ✓
30	TRA081	Screw, micro adjust knob	83	TRA106	Screw, shaft lock button
31	TRA035	Micro adjust knob ✓	84	TRA107	Screw, chip shield
32	TRA005	Upper motor body ✓	85	TRA022	Chip shield, rear ✓
33	TRA003	Field ✓	86	TRA108	Liner, rack post
34	TRA036	Worm shaft, metric ✓	87	TRA109	Snap ring, rack post
35	TRA082	Screw, field	88	TRA110	Spring, rack post ✓
36&37	TRA127	Magnet ring & mount assembly ✓	91	TRA064	Knob, fence attachment
38	TRA085	Upper armature bearing ✓	92	TRA111	Spring, fence attachment knob ✓
39	TRA002	Armature ✓	93	TRA021	Chip shield, front ✓
40	TRA024	Fan shroud	94	TRA023	Vacuum shield ✓
41	TRA086	Screw, lower armature bearing plate	95	TRA030	Turret wheel
42	TRA015	Lower armature bearing plate	96	TRA112	Nut, turret wheel
43	TRA014	Lower armature bearing ✓	97	TRC028	Turret
44	TRA087	E ring ✓	98	TRA113	Screw, turret wheel
45	TRA044	Clutch plate ✓	99	TRA114	Spring, turret
46	TRA043	Plunge pinion ✓	100	TRA029	Turret detent ball
47	TRA037	Worm wheel, metric ✓	89,90,101,103	TRA125	Base & post assembly ✓
48	TRA088	Spring, plunge selector ✓	102	TRA115	Screw, turret pivot
49.1	TRA040	Plunge selector ✓	104	TRA009	Base plate ✓
49.2	TRA132	Spring ✓	105	TRA117	Coach bolt, fence attachment
49.3	TRA131	Plunge selector rear ✓	106	TRA118	Screw, baseplate ✓
50	TRA038	Plunge handle outer ✓	107 to 111	TRA128	Fence plate & circle cutter assembly ✓
51	TRA041	Plunge handle shaft ✓	112 to 116	TRA126	Fence assembly ✓
52	TRA039	Plunge handle inner ✓	117	TRA129	1/4" reduction collet
53	TRA089	Screw, plunge handle ✓	118	TRA124	1/2" cutter
54	TRA090	Spring, release ring ✓	119	TRA066	Spanner ✓
55	TRA042	Release ring ✓	-	PUA526	Instruction Manual
56	TRA047	Bush, metric worm			

# Dual Mode Precision Plunge Router (Push Button) - TRA001

## CHT 7E-2400 W



## Dual Mode Precision Plunge Router (Push Button) - TRA001

Diag. Ref.	Part No.	Description	Qty	Comments
1	TRA067	SCREW MOTOR TOP COVER		
2	TRA007	✓ MOTOR TOP COVER		
3	TRA027	✓ SPEED CONTROLLER		
4	TRC057	PLUG AND CORD		
5	TRA068	✓ BRUSH CONNECTION B		
6	TRA069	✓ BRUSH CONNECTION A		
7	TRA018	CORD RELIEF		
8, 9 & 10	TRA136	✓ RACK POST GUIDE ASSEMBLY		
11	TRA071	SCREW, UPPER ARMATURE BEARING PLATE		
12	TRA016	✓ UPPER ARMATURE BEARING PLATE		
13	TRA017	CORD RESTRAINT		
14	TRA072	SCREW, CORD RESTRAINT		
15,16,17,18,20 & 23	TRA135	✓ SWITCH ASSEMBLY		
19	TRA034	GUIDE, DEPTH STOP SPRING		
21	TRA074	SCREW, SWITCH COVER, SHORT		
22	TRA075	SCREW, SWITCH COVER, LONG		
24	TRA077	CONNECTING WIRE, BROWN		
25	TRA078	CONNECTING WIRE, BLUE		
26	TRA079	SCREW, BRUSH HOLDER		
27	TRA056	✓ BRUSH HOLDER		
28	TRA055	✓ BRUSH		
29	TRA080	CAP, BRUSH HOLDER		
30	TRA081	SCREW, MICRO ADJUST KNOB		
31	TRA035	✓ MICRO ADJUST KNOB		
32	TRA005	✓ UPPER MOTOR BODY		
33	TRA003	✓ FIELD		
34	TRA036-3	✓ WORM GEAR		
34.2	TRA501	PIN		
34.3	TRA502	O-RING		
34.4	TRA503	FLAT WASHER		
34.5	TRA504	E-RING		
35	TRA082	SCREW, FIELD		
36 & 37	TRA127	✓ MAGNET RING & MOUNT ASSEMBLY		
38	TRA085	✓ UPPER ARMATURE BEARING		
39	TRA002	✓ ARMATURE		
40	TRA024	FAN SHROUD		
41	TRA086	SCREW, LOWER ARMATURE BEARING PLATE		
42	TRA015	LOWER ARMATURE BEARING PLATE		
43	TRA014	✓ LOWER ARMATURE BEARING		
44	TRA087	✓ E RING		
45	TRA044	✓ CLUTCH PLATE		
46	TRA043	✓ PLUNGE PINION		
47	TRA037	✓ WORM WHEEL, METRIC		

## Dual Mode Precision Plunge Router (Push Button) - TRA001

Diag. Ref.	Part No.	Description	Qty	Comments
48	TRA152	SPRING, CLUTCH SHAFT OUTER		
49	TRA150	PLUNGE HANDLE CLUTCH SHAFT		
50	TRA139	PLUNGE HANDLE OUTER RUBBERISED		
51	TRA147	PLUNGE HANDLE SHAFT		
51.1	TRA141 ✓	PLUNGE SELECT PUSH BUTTON		
51.2	TRA142 ✓	PLUNGE SELECT BUTTON SPRING		
51.3	TRA143 ✓	PLUNGE SELCT BUTTON SCREW		
51.4	TRA144 ✓	PLUNGE HANDLE ROTOR		
51.5	TRA145 ✓	PLUNGE HANDLE STATOR		
51.6	TRA146 ✓	PLUNGE HANDLE LOCKOUT		
51.7	TRA149 ✓	PLUNGE HANDLE ROLL PIN X		
51.8	TRA151 ✓	SPRING, CLUTCH SHAFT INNER		
52	TRA140 ✓	PLUNGE HANDLE INNER		
53	TRA089 ✓	SCREW, PLUNGE HANDLE		
54	TRA090 ✓	SPRING, RELEASE RING		
55	TRA148 ✓	MICRO RELEASE RING		
56	TRA047	BUSH, METRIC WORM		
57, 58 & 76	TRA052 ✓	LOWER MOTOR BODY & BUSH ASSEMBLY		
59	TRA092	SPRING, DEPTH STOP		
60	TRA033	DEPTH STOP TUBE		
61	TRA058	PLUG, DEPTH STOP TUBE		
62	TRA046 ✓	FIXED HANDLE INNER		
63	TRA093	SCREW, FIXED HANDLE INNER		
64	TRA045 ✓	FIXED HANDLE OUTER		
65	TRA094	SCREW, FIXED HANDLE OUTER		
66	TRA032 ✓	DEPTH STOP BRASS PLUG		
67	TRA133 ✓	DEPTH STOP KNOB SPRING		
68, 69 & 70	TRA134 ✓	DEPTH KNOB ASSEMBLY		
71	TRA049	BOLT, PLUNGE LOCK		
72	TRA098 ✓	SCREW, PLUNGE LOCK LEVER PLATE		
73	TRA050	PLATE, PLUNGE LOCK LEVER		
74	TRA048 ✓	PLUNGE LOCK LEVER		
75	TRA099 ✓	SCREW, PLUNGE LOCK LEVER		
77	TRA101	SCREW, MOTOR BODY		
78	TRA013 ✓	CHUCK ASSEMBLY		
79	TRA104	SPRING, SHAFT LOCK (INNER)		
80	TRA026	PIN, SHAFT LOCK		
81	TRA105	SPRING, SHAFT LOCK (OUTER)		
82	TRA025 ✓	BUTTON, SHAFT LOCK		
83	TRA106	SCREW, SHAFT LOCK BUTTON		
84	TRA107	SCREW, CHIP SHIELD		
85	TRA022 ✓	CHIP SHIELD, REAR		
86	TRA108	LINER, RACK POST		

## Dual Mode Precision Plunge Router (Push Button) - TRA001

Diag. Ref.	Part No.	Description	Qty	Comments
87	TRA109	SNAP RING, RACK POST		
88	TRA110 ✓	SPRING, RACK POST		
91	TRA064	KNOB, FENCE ATTACHMENT		
92	TRA111 ✓	SPRING, FENCE ATTACHMENT KNOB		
93	TRA021 ✓	CHIP SHIELD, FRONT		
94	TRA023 ✓	VACUUM SHIELD		
95	TRA030	TURRET WHEEL		
96	TRA112	NUT, TURRET WHEEL		
97	TRC028	TURRET		
98	TRA113	SCREW, TURRET WHEEL		
99	TRA114	SPRING, TURRET		
100	TRA029	TURRET DETENT BALL		
89, 90, 101, 103	TRA125 ✓	BASE & POST ASSEMBLY		
102	TRA115	SCREW, TURRET PIVOT		
104	TRA009 ✓	BASE PLATE		
105	TRA117	COACH BOLT, FENCE ATTACHMENT		
106	TRA118 ✓	SCREW. BASEPLATE		
107 - 111	TRA128 ✓	FENCE PLATE & CIRCLE CUTTER ASSEMBLY		
112 - 116	TRA126 ✓	FENCE ASSEMBLY		
117	TRA129	1/4" REDUCTION COLLET		
118	TRA124	1/2" CUTTER		
119	TRA066 ✓	SPANNER		
120	TRA505	WASHER		
124 - 130	TRA410	WINDER HANDLE ASSEMBLY		
131	TRA506	WASHER		
135	TRJ012	CHUCK ASSEMBLY 12MM		

## SPARE PARTS LISTING ROUTER 2000 & 2400 W

ITEM No.	CMT COD. ITEM	Part. No.	DESCRIPTION	NET PRICE			
				€	2000 W	2400 W	
	2	CMT7E-002	TRA007	MOTOR TOP COVER	9,32	x	x
	3	CMT7E-003	TRA027	SPEED CONTROLLER	44,15	x	x
	5	CMT7E-005	TRA068	BRUSH CONNECTOR B	6,67	x	x
	6	CMT7E-006	TRA069	BRUSH CONNECTOR A	6,67	x	x
	12	CMT7E-012	TRA016	UPPER ARMATURE BEARING PLATE	0,98	x	x
	16	CMT7E-016		SWITCH MOUNT	0,75	x	x
	17	CMT7E-017		SWITCH	10,75	x	x
	18	CMT7E-018		SWITCH COVER	0,54	x	x
	27	CMT7E-027	TRA056	BRUSH HOLDER	4,18	x	x
	28	CMT7E-028	TRA055	BRUSH	6,67	x	x
	29	CMT7E-029	TRA080	BRUSH CAP	1,32	x	x
	31	CMT7E-031	TRA035	MICRO ADJUST KNOB	2,44	x	x
	32	CMT7E-032	TRA005	UPPER MOTOR BODY	15,41	x	x
	33	CMT7E-033	TRA003	FIELD	16,15	x	x
	34	CMT7E-034	TRA036	WORM SHAFT	10,06	x	x
	34	CMT7E-034/1	TRA036-2	WORM SHAFT Mk2 (BEFORE 2010 for 2000W)	9,87	x	
	34	CMT7E-034/1N	TRA036-3	WORM SHAFT (START 2010 for 2400W)	9,93		x
	38	CMT7E-038	TRA085	UPPER ARMATURE BEARING	9,32	x	x
	39	CMT7E-039	TRA002	ARMATURE	46,06	x	x
	44	CMT7E-044	TRA087	ERING	0,90	x	x
	45	CMT7E-045	TRA044	CLUTCH PLATE	1,38	x	x
	46	CMT7E-046	TRA043	PLUNGE PINION	1,63	x	x
	47	CMT7E-047	TRA037	WORM WHEEL	8,75	x	x
	48	CMT7E-048	TRA088	SPRING PLUNGE SELECTOR	0,94	x	
	49	CMT7E-049	TRA150	PLUNGE HANDLE CLUTCH SHAFT	2,22		x
	50	CMT7E-050	TRA038	PLUNGE HANDLE CLUTCH OUTER	3,09	x	
	50	CMT7E-050/2	TRA139	PLUNGE HANDLE OUTER RUBBERISED	0,91		x
	51	CMT7E-051	TRA041	PLUNGE HANDLE SHAFT	3,86	x	
	51	CMT7E-051/2	TRA147	PLUNGE HANDLE SHAFT WITH BUTTON (2400 W)	1,43		x
	104	CMT7E-104	TRA009	BASE PLATE	9,37	x	x
	106	CMT7E-106	TRA118-2	BASEPLATE SCREW (EACH)	0,58	x	x
	107	CMT7E-109A	TRA128	FENCE PLATE & CIRCLE CUTTER ASSY	14,54	x	x
	112	CMT7E-114A	TRA126	FENCE SLIDE ASSEMBLY	11,65	x	x

ITEM No.	CMT COD. ITEM	Part. No.	DESCRIPTION	NET PRICE		
				€	2000 W	2400 W
(55/58/76)	CMT7E-058A	TRA052	LOWER MOTOR BODY	38,28	x	x
(68/69/70)	CMT7E-069	TRA134	DEPTH STOP KNOB	0,95	x	x
(8/9/10)	CMT7E-009A	TRA136	9-10_RACK POST GUIDE "ASSEMBLY"	5,19	x	x
(89/90/101/103)	CMT7E-101A	TRA125	BASE & POST ASSY	20,87	x	x
119	CMT7E-119	TRA066	WRENCH	5,95	x	x
15/16/17/18/20/23	CMT7E-17A	TRA135	SWITCH ASSY	18,32	x	x
36/37	CMT7E-036A	TRA127	MAGNET RING AND MOUNT ASSY	4,13	x	x
43	CMT7E-043	TRA014	LOWER ARMATURE BEARING	4,13	x	x
49-1	CMT7E-049/1	TRA040	PLUNGE SELECTOR	2,29	x	
49-1/49-3/50/51/52/53/54/55)	CMT7E-050-1	TRA50-1	PLUNGE HANDLE COMPLETE	13,71	x	
49-2	CMT7E-049/2	TRA132	SPRING (EACH)	0,90	x	
49-3	CMT7E-049/3	TRA131	PLUNGE SELECTOR REAR	0,97	x	
51.1	CMT7E-051.1	TRA141	PLUNGE SELECT PUSH BUTTON	0,89		x
51.2	CMT7E-051.2	TRA142	PLUNGE SELECT BUTTON SPRING	0,89		x
51.3	CMT7E-051.3	TRA143	SELF TAPPING SCREW (EACH)	2,34		x
51.4	CMT7E-051.4	TRA144	PLUNGE HANDLE ROTOR	0,92		x
51.5	CMT7E-051.5	TRA145	PLUNGE HANDLE STATOR	1,43		x
51.6	CMT7E-051.6	TRA146	PLUNGE HANDLE LOCKOUT	0,89		x
51.7	CMT7E-051.7	TRA149	PIN	0,91		x
51.8	CMT7E-051.8	TRA151	SPRING PLUNGE HANDLE ROTOR	0,95		x
52	CMT7E-052/1	TRA140	PLUNGE HANDLE INNER	0,94		x
52	CMT7E-052	TRA039	PLUNGE HANDLE INNER	2,09	x	
53	CMT7E-053	TRA089	SCREW (EACH)	0,89	x	x
54	CMT7E-054	TRA090	SPRING RELEASE RING	0,86	x	x
55	CMT7E-055	TRA042	RELEASE RING	1,58	x	
55	CMT7E-055/1	TRA148	MICRO RELEASE	0,89		x
62	CMT7E-062	TRA046	FIXED HANDLE INNER	2,81	x	x
64	CMT7E-064	TRA045	FIXED HANDLE OUTER	3,17	x	x
66	CMT7E-066	TRA032	DEPTH STOP BRASS PLUG	0,97	x	x
67	CMT7E-067	TRA133	DEPTH STOP KNOB SPRING	2,01	x	x
72	CMT7E-072	TRA098	SCREW	0,74	x	x
74	CMT7E-074	TRA048	PLUNGE LOCK LEVER	2,17	x	x
75	CMT7E-075	TRA099	SCREW	0,74	x	x
78	CMT7E-078	TRA317A	CHUCK BODY	15,78	x	x
82	CMT7E-082	TRA025	SHAFT LOCK BUTTON	1,66	x	x



ITEM No.	CMT COD. ITEM	Part. No.	DESCRIPTION	NET PRICE			
				€	2000 W	2400 W	
	85	CMT7E-085	TRA022	REAR CHIP SHEILD	6,42	x	x
	88	CMT7E-088	TRA110	SPRING RACK POST	4,66	x	x
	92	CMT7E-092	TRA111	SPRING (EACH)	1,27	x	x
	93	CMT7E-093	TRA021	FRONT CHIP SHIELD	6,42	x	x
	94	CMT7E-094	TRA023	VACUUM SHIELD BIG THROAT	7,22	x	x
		CMT7E-132		COLLECT NUT	7,70	x	x